



PLUG & PLAY



# WWM

**CHILLER WITH BUILT-IN HEAT RECOVERY  
SCROLL COMPRESSORS WITH PLATE EXCHANGERS**



✓ MODULARITY

✓ COMPACT SIZE

✓ EASY MAINTENANCE

✓ HIGH EFFICIENCY

✓ STACKABLE

✓ LOW COST INSTALLATION

## Easy Assembly and Maintenance

### WWM

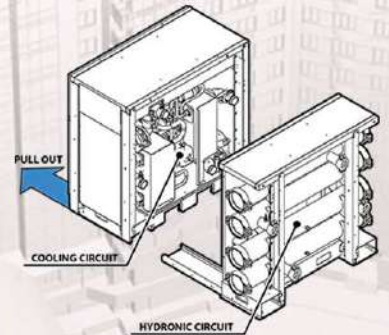
Heat Pump with reversible water side for indoor installation.

Bi-circuit units reversible water side with hermetic R410A scroll compressors, high efficiency installation and source side plate exchanger.

Made to allow total accessibility to internal components for service and maintenance.

Easy installation and maintenance thanks to practical disassembly of the cooling circuit from hydronic side.

- Cooling capacity: 95.9kW
- Heating capacity: 108.9kW
- Network Operations (option)
- Compatible with MODBUS (option)
- Internet connection (option)



## Variable pumping with hydronic parzialization





## Lift and door Accessible



Can pass through single door (31.5") and Passenger lift.

## Features



- Isolation valves allows single modules to be removed without interrupting system operations



- Hydraulic tubing remain connected though separated from the module

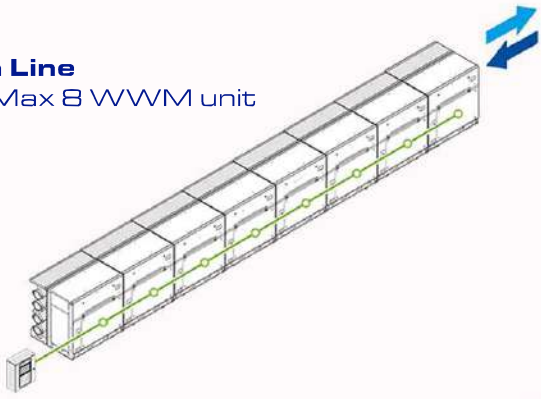
## Multi Module Controller



# Configuration - 1 Multichiller\_EVO

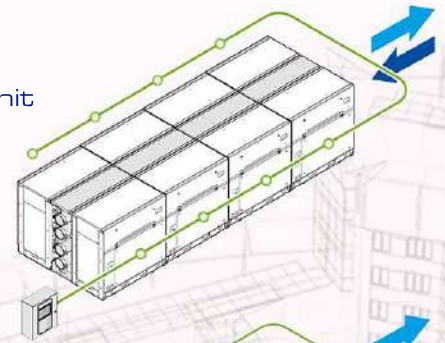
## In Line

- Max 8 WWM unit



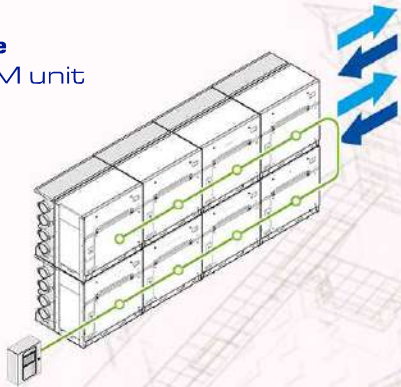
## Back to Back

- Max 8 WWM unit



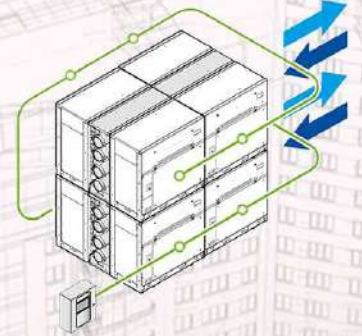
## Stack In Line

- Max 8 WWM unit  
[4 per stack]



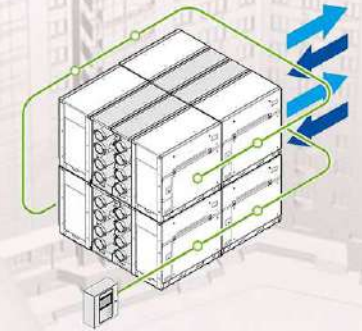
## Stack In Line Back to Back

- Max 8 WWM unit  
[4 per stack]



## Stack In Line Back to Back Double

- Max 8 WWM unit  
[4 per stack]



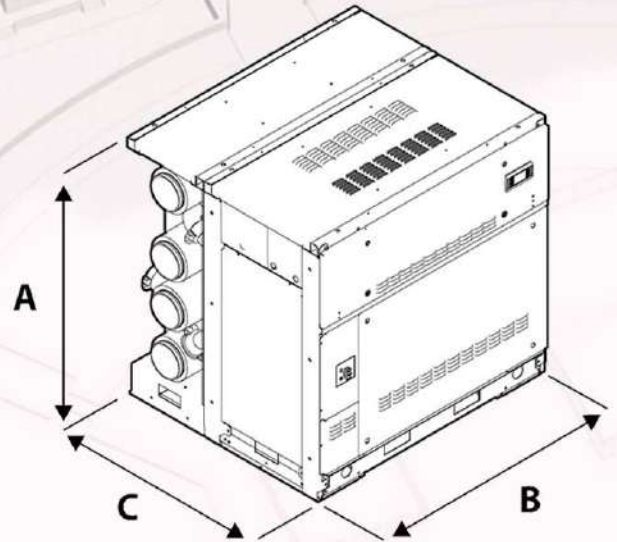
## Specifications

WWM0500			
Capacity	96.2kW	86.3kW	123kW
Chilled Water Outlet temperature	7°C	4°C	15°C
Chilled Water Inlet temperature	12°C	9°C	20°C
Cooling Tower Water Outlet temperature	30°C	30°C	30°C
Efficiency (COP)	4.92	4.5	6.3

Minimum / Maximum Chilled Water Outlet Temperature: 4°C to 18°C (Cooling)  
 Minimum / Maximum Chilled Water Outlet Temperature: 25°C to 55°C (Heating if required)  
 Maximum Ambient Temperature: 45°C

This module is design to function as a chiller for your cooling needs or a heater if you have requirements for hot water usage.

Thanks to the friendly design, you can switch between cooling and heating within minutes!



### DIMENSION

WWM0500	
A	1300mm
B	1330mm
C	1150mm
WEIGHT	970kg

# NOVUS

**Novus Technik Pte Ltd**

Level 39, Marina Bay Financial Centre Tower 2, 10 Marina Boulevard, Singapore 018983

Tel: +65 6225 3602 Fax: +65 6818 6316 Email: comm@novus.com.sg Website: www.novus.com.sg