

WMX / WMG

WATER COOLED CHILLER WITH CENTRIFUGAL COMPRESSOR
FLOODED EVAPORATOR



✓ MODULARITY

✓ COMPACT SIZE

✓ EASY MAINTENANCE

✓ HIGH EFFICIENCY

✓ STAND BY SAFETY

✓ LOW COST INSTALLATION

WMX / WMG

Modular water-water chiller for internal installation with "oil free" magnetic levitation centrifugal compressors flooded tube core heat exchanger with a spray system on the plant side.

The unit boasts efficiency at partial loads with very high ESEER values, an electronic thermostatic valve, touch screen LCD user interface, reduced way and greater compactness.

- R134a for WMX.
Cooling Capacity: 279.7 to 323.6kW
- R1234ze for WMG.
Cooling Capacity: 281.8 to 311.8kW
- Low noise (option)
- Network operation (option)
- Compatible with MODBUS (option)
- Internet connection (Option)

Compact Compressor



Compact Evaporator



Compact Condenser



Cargo Lift Accessible



Features



- Flooded Spray Design Condenser
- Superior performance
- 50% less refrigerant
- Easy to open and clean



- Turbocor Compressor
- Excellent EER and ESEER
- Oil-Free
- Zero Friction
- Low Startup current
- Low noise



- Modular
- Standby Safety
- Easy connected

Touch Controller

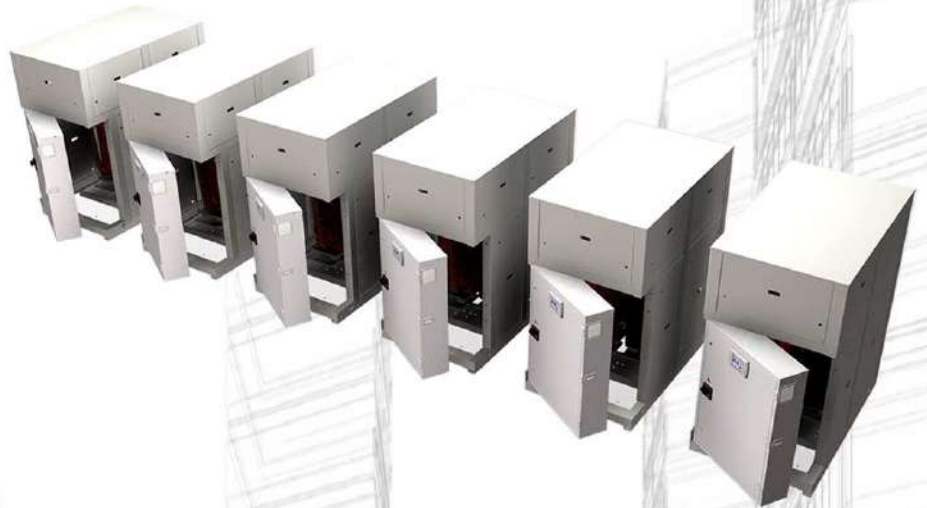


Multi Module Controller



Modular

- Spacing of 50cm, between modules
- Service access from the end only
- Possibility to add further modules
- Easy additional standby module

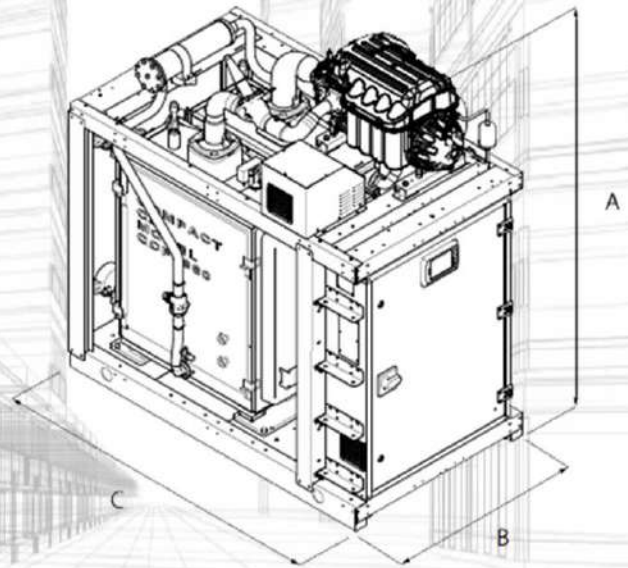


Specifications

WMX300A (R134a)			
Capacity	325kW	306kW	373kW
Chilled Water Outlet temperature	7°C	5°C	15°C
Chilled Water Inlet temperature	12°C	10°C	20°C
Cooling Tower Water Outlet temperature	30°C	30°C	30°C
Efficiency (COP)	5.6	5.25	7.41

WMG300A (R1234ze)			
Capacity	313kW	293kW	360kW
Chilled Water Outlet temperature	7°C	5°C	15°C
Chilled Water Inlet temperature	12°C	10°C	20°C
Cooling Tower Water Outlet temperature	30°C	30°C	30°C
Efficiency (COP)	5.62	5.22	7.67

Minimum / Maximum Chilled Water Outlet Temperature: 5°C to 20°C
 Maximum Ambient Temperature: 45°C



DIMENSION

WMX / G	
A	1905mm
B	1041mm
C	1770mm
WEIGHT	2025 - 2205 kg



Novus Technik Pte Ltd

Level 39, Marina Bay Financial Centre Tower 2, 10 Marina Boulevard, Singapore 018983

Tel: +65 6225 3602 Fax: +65 6818 6316 Email: comm@novus.com.sg Website: www.novus.com.sg